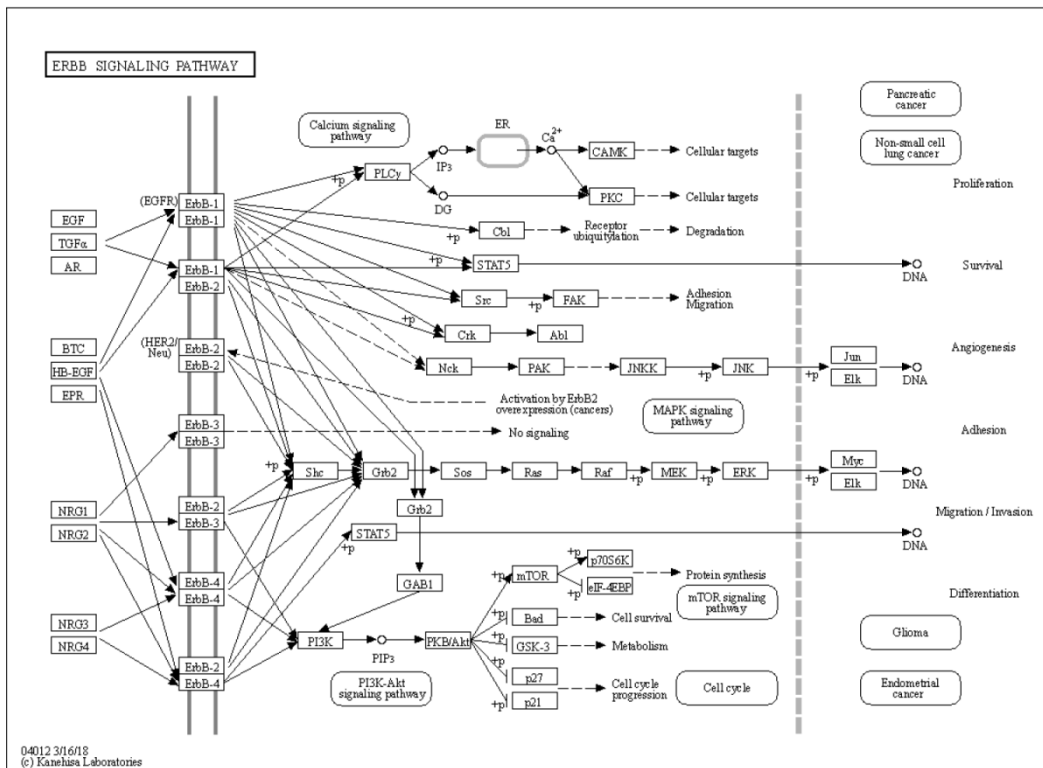
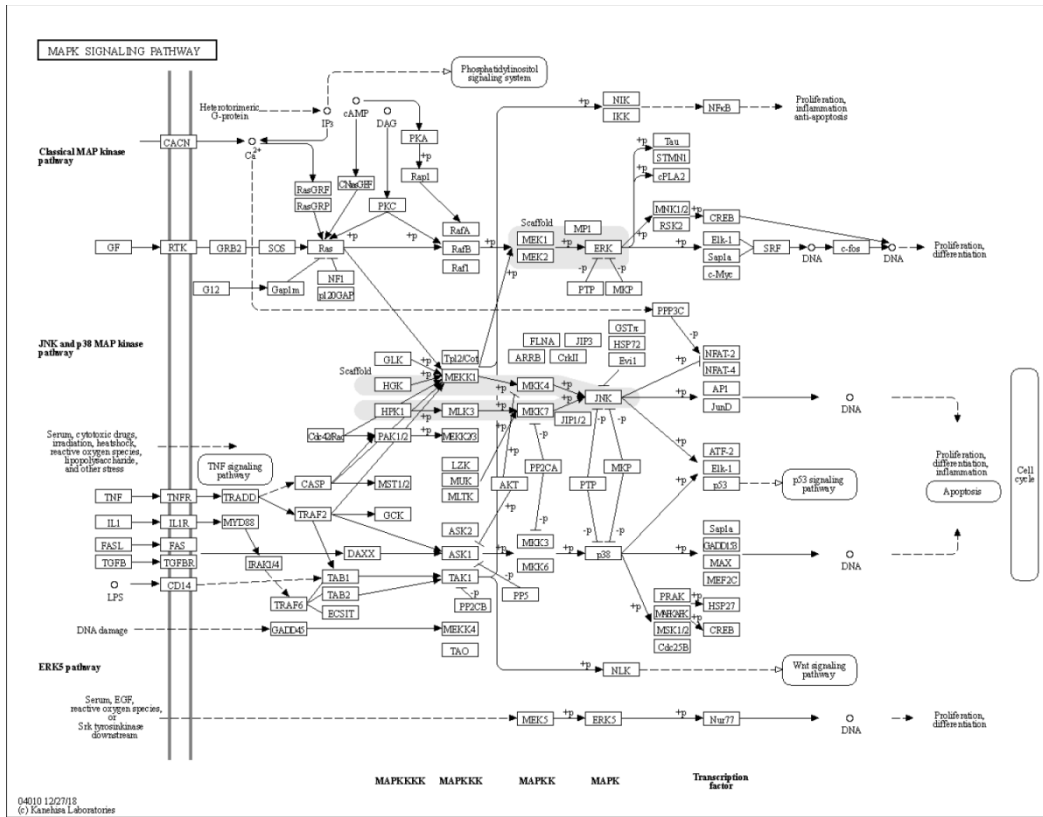
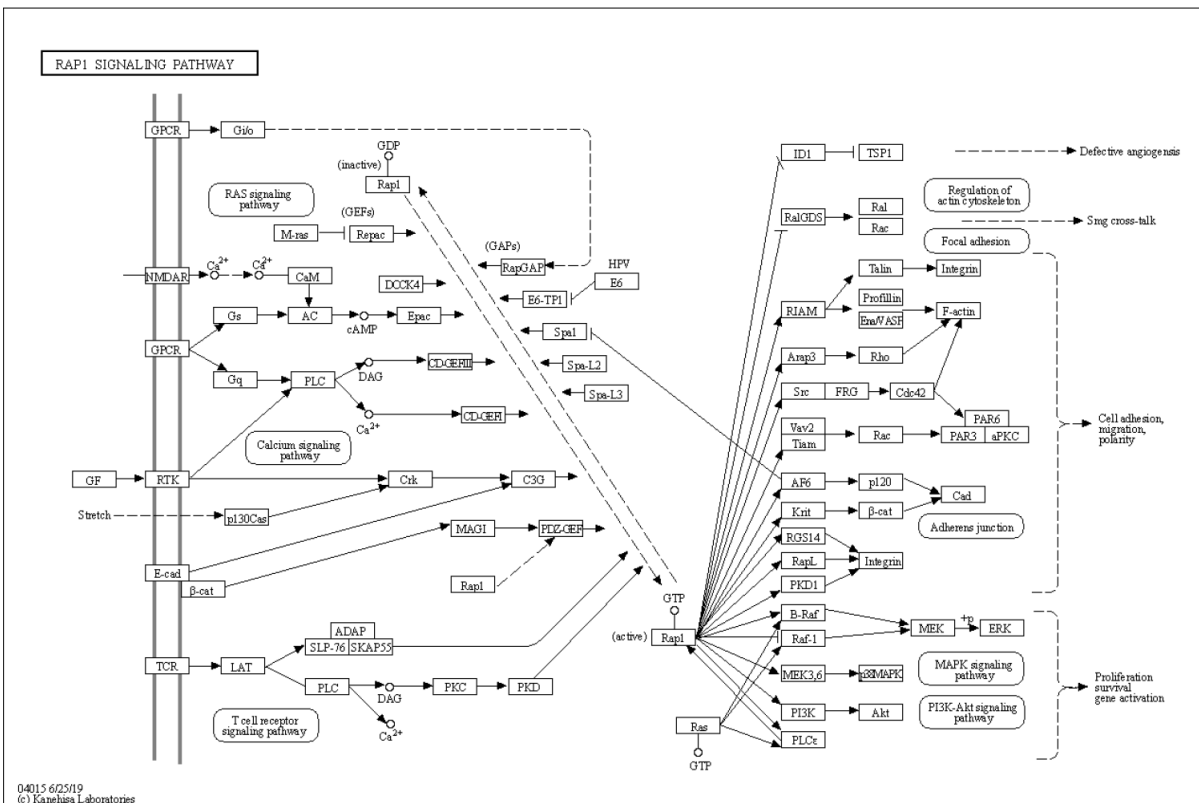
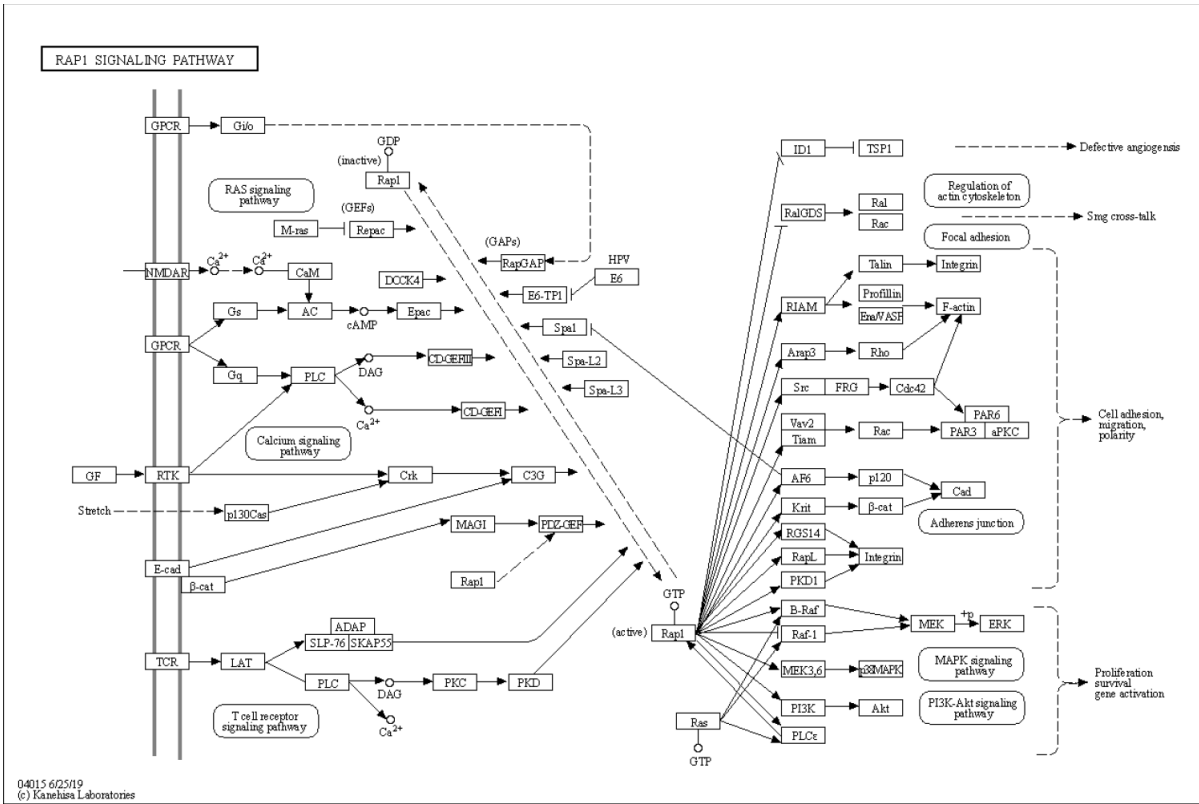
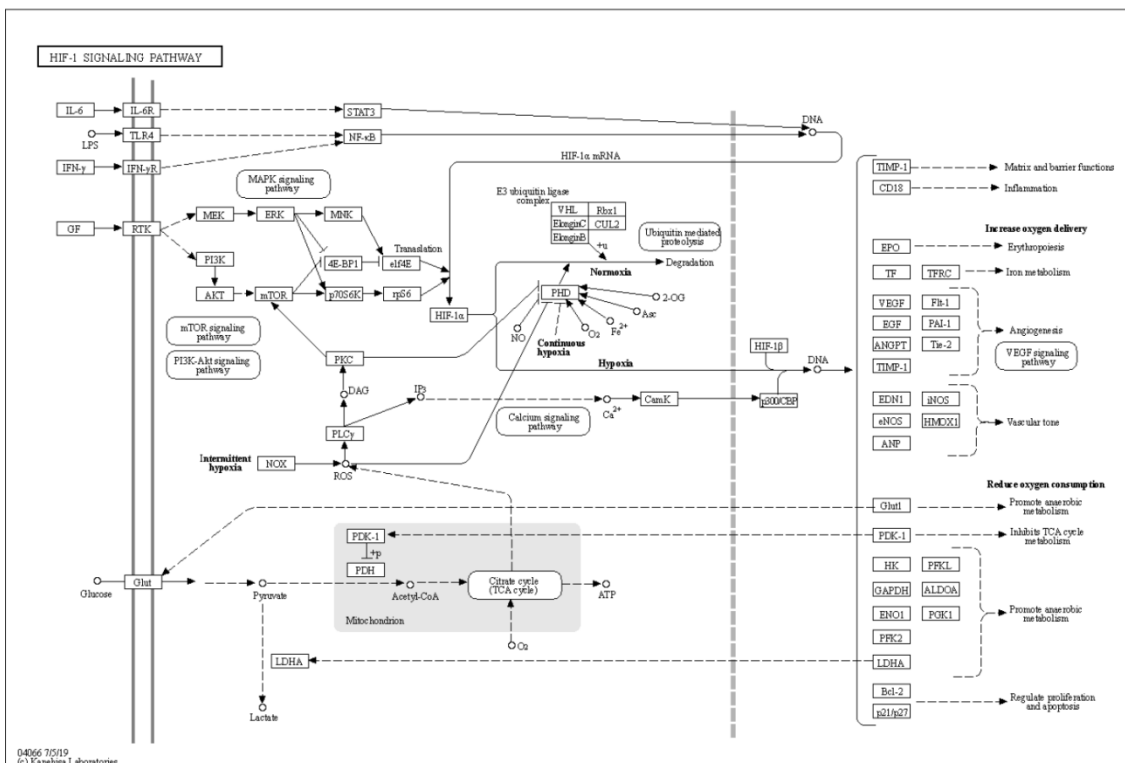
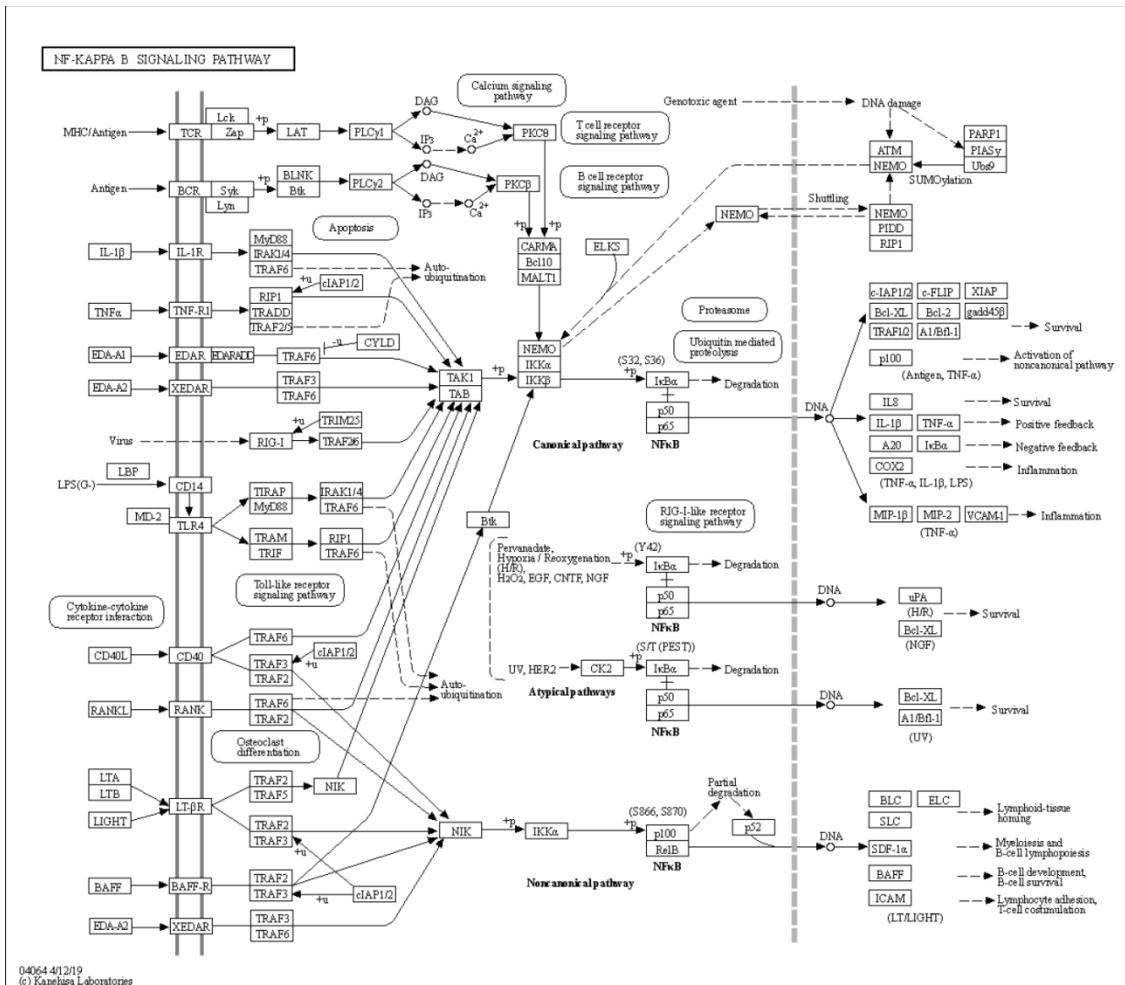
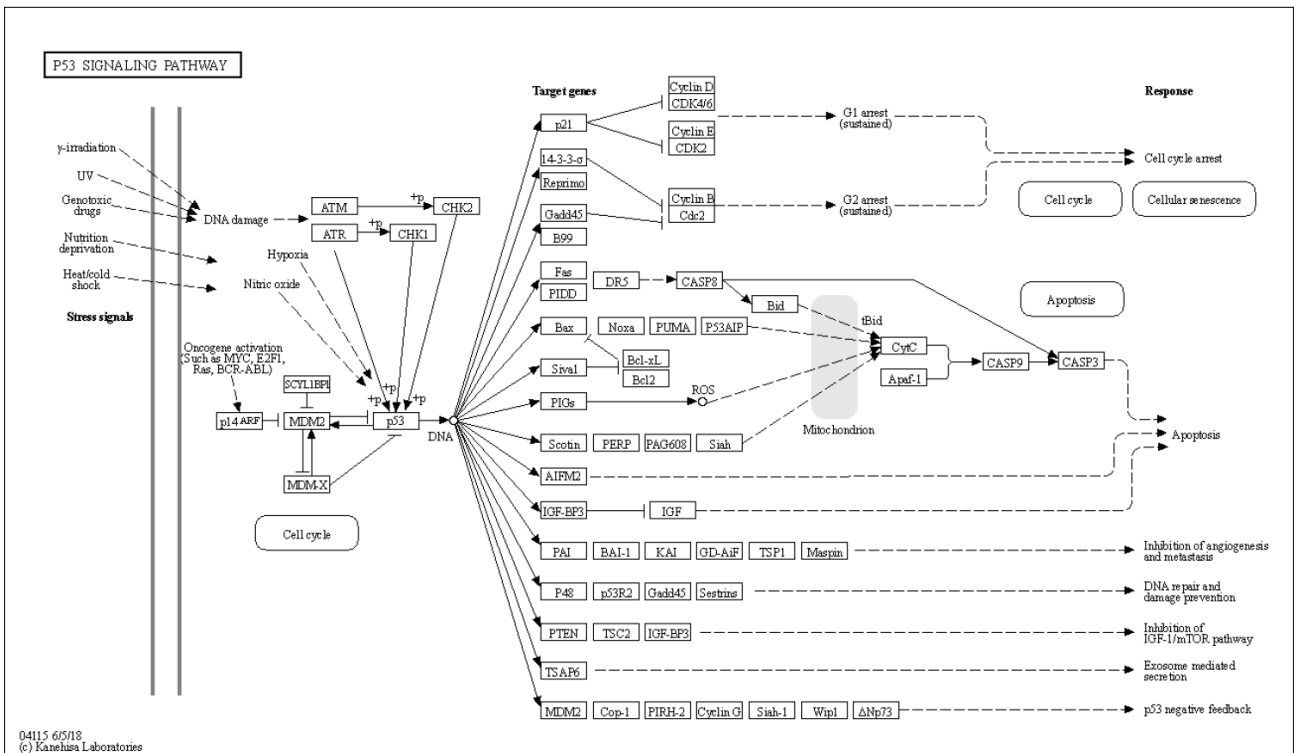
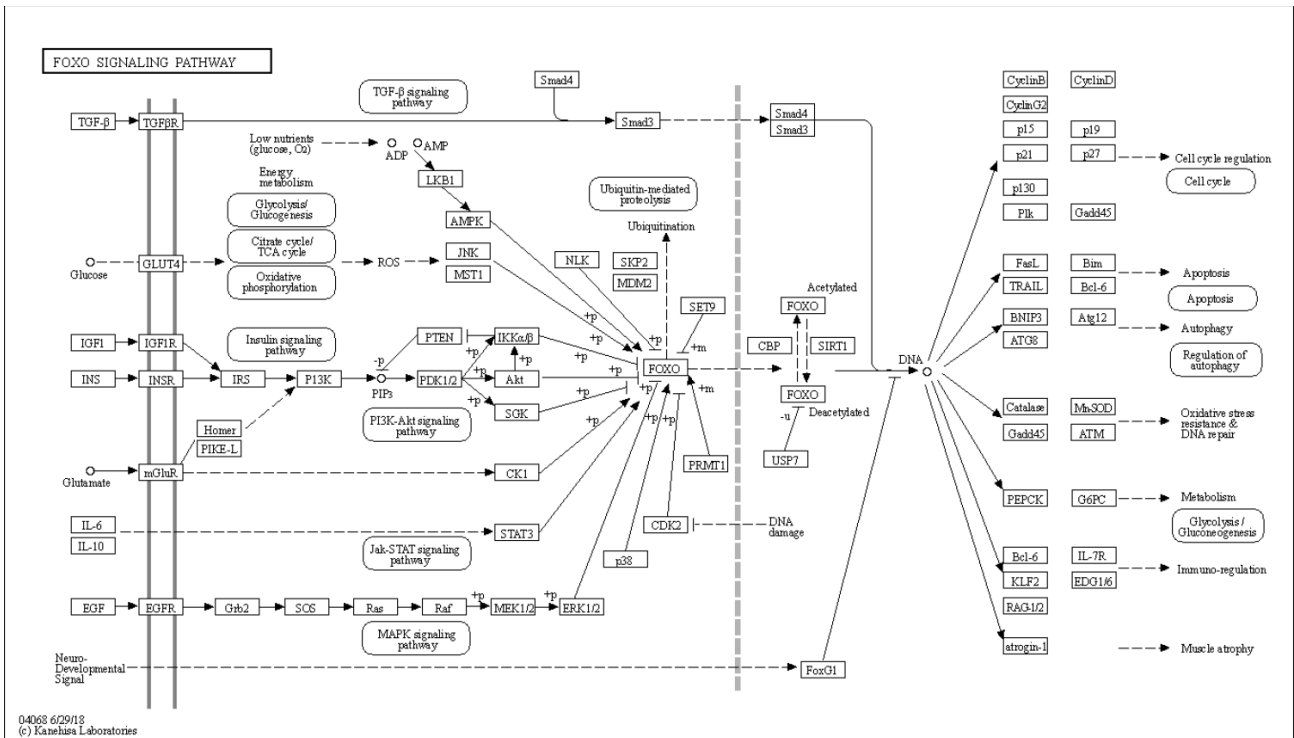


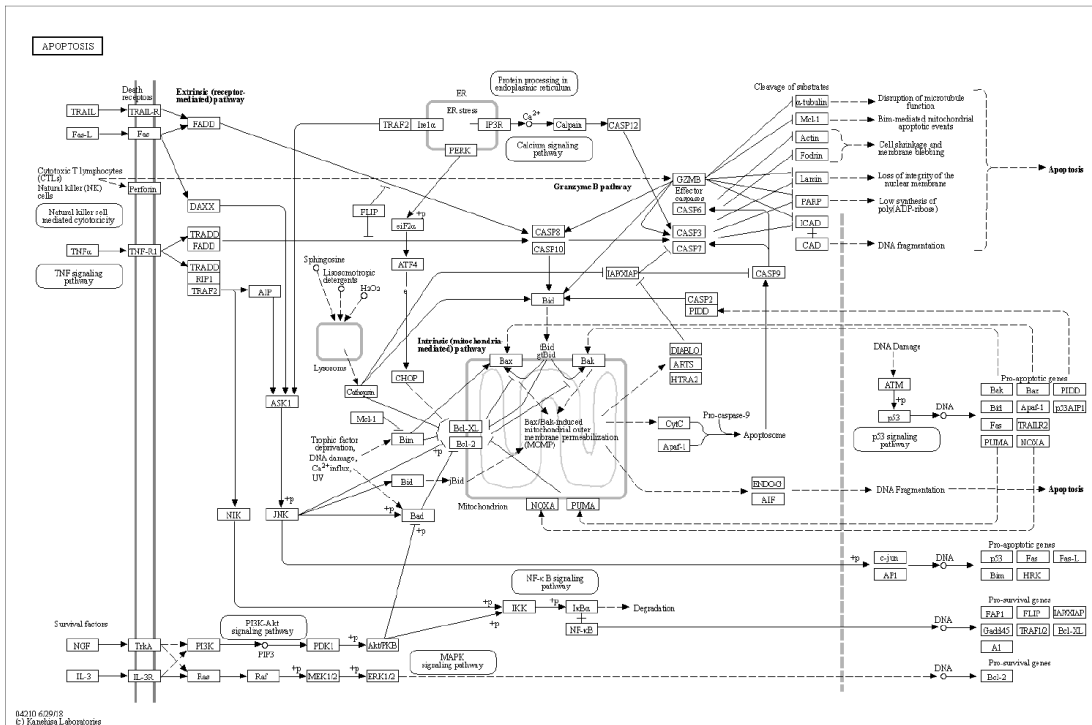
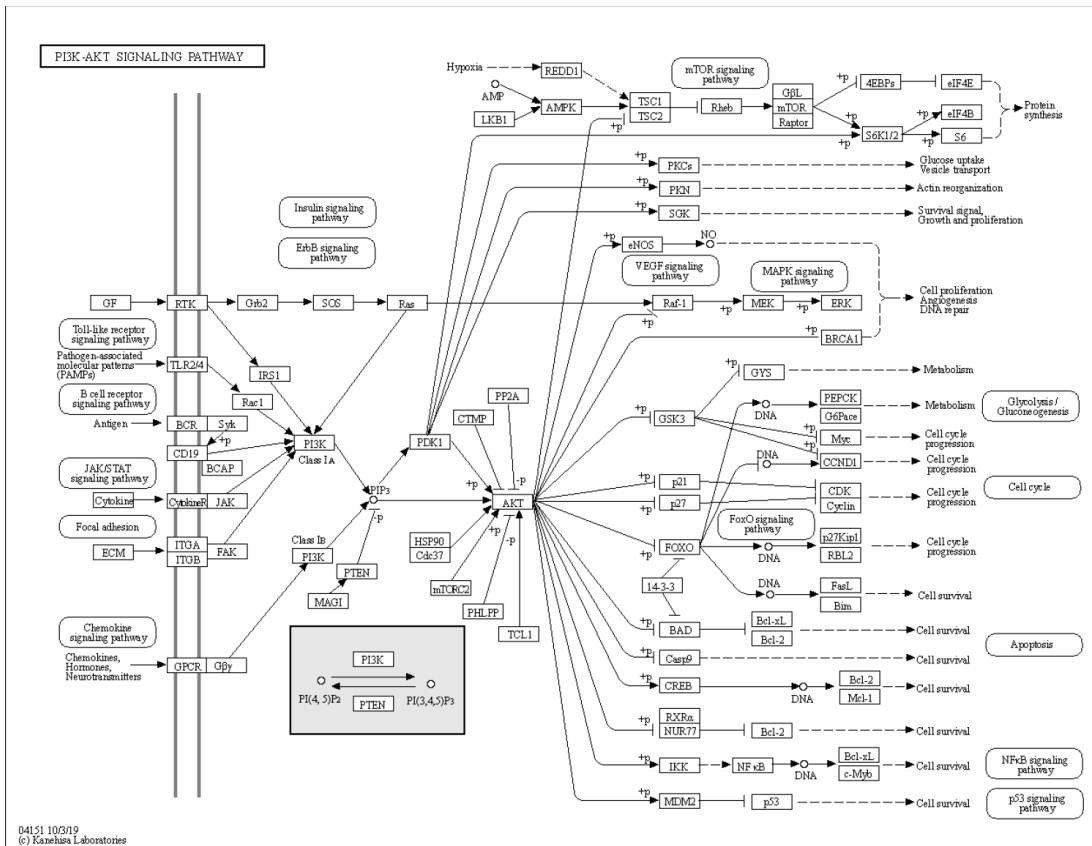
SUPPLEMENTARY FIGURE

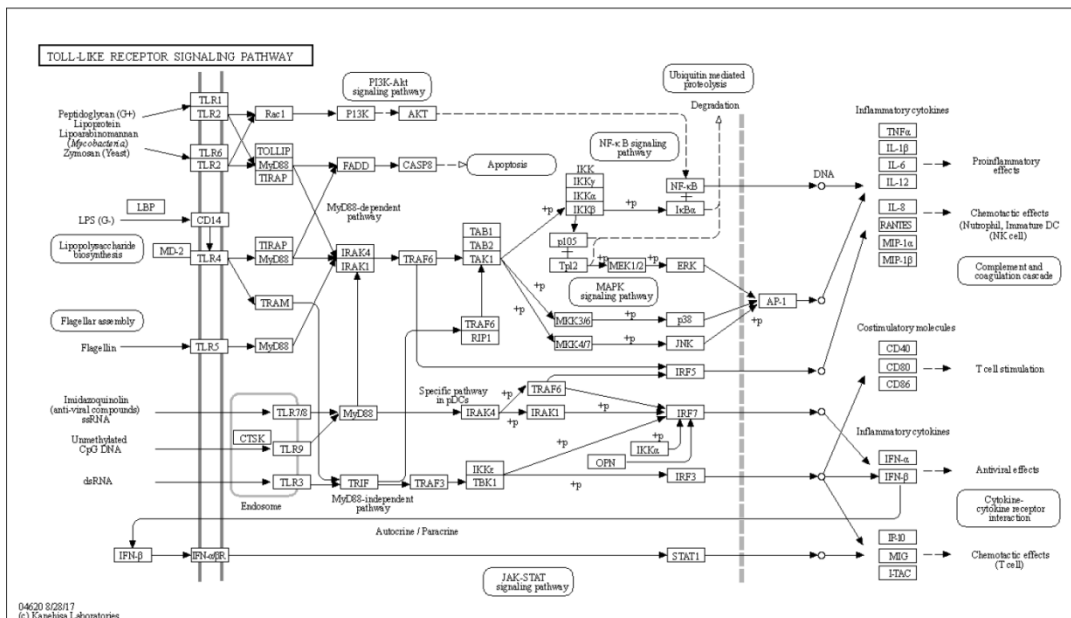
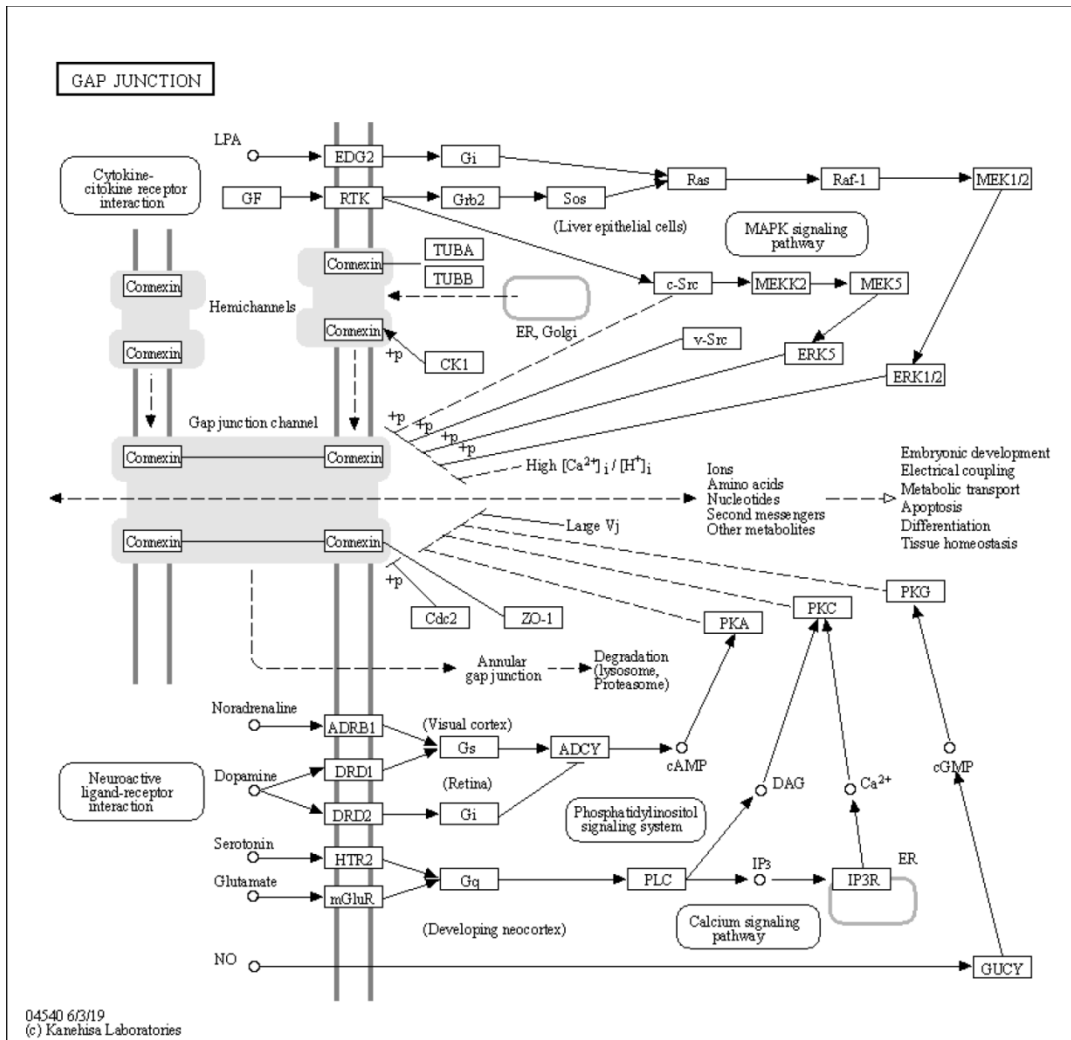


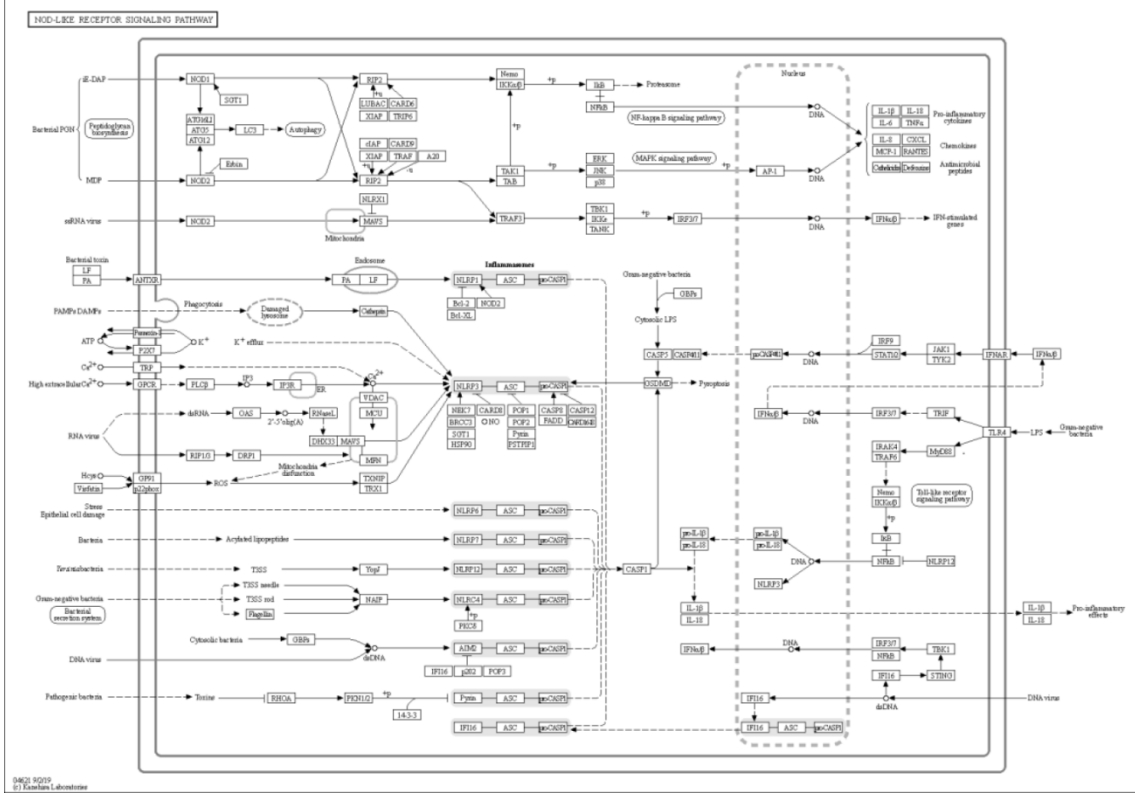
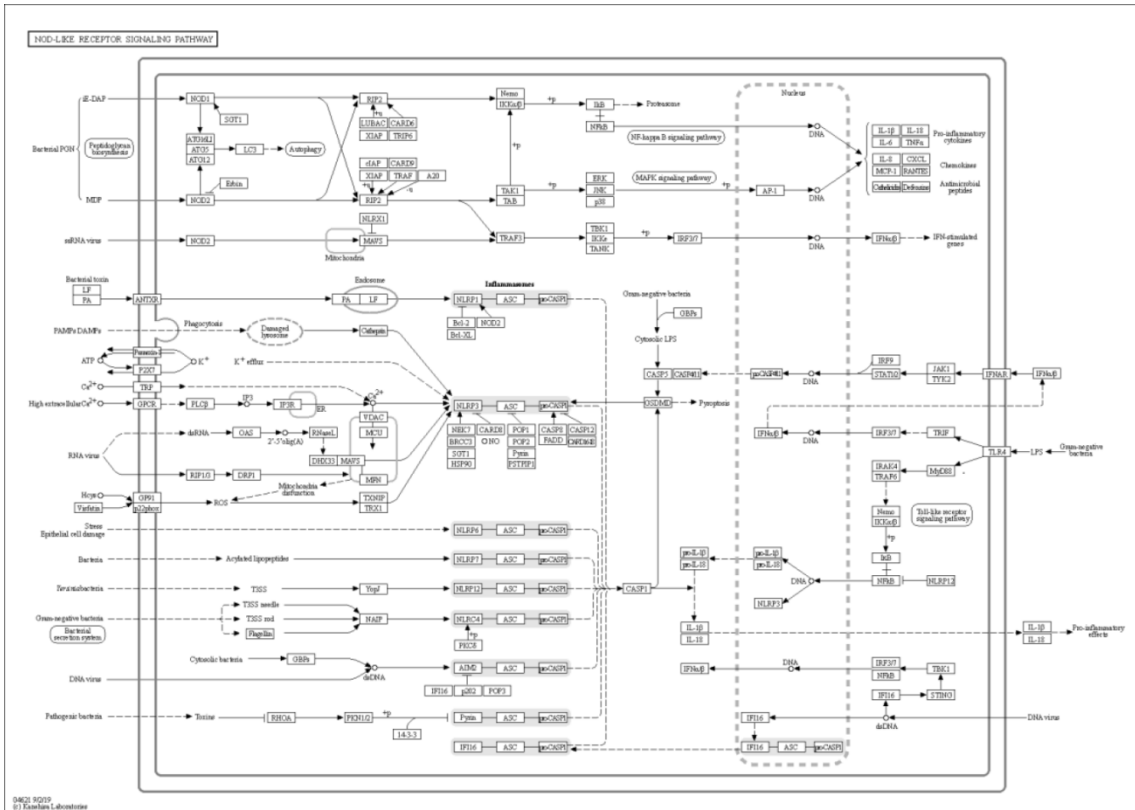


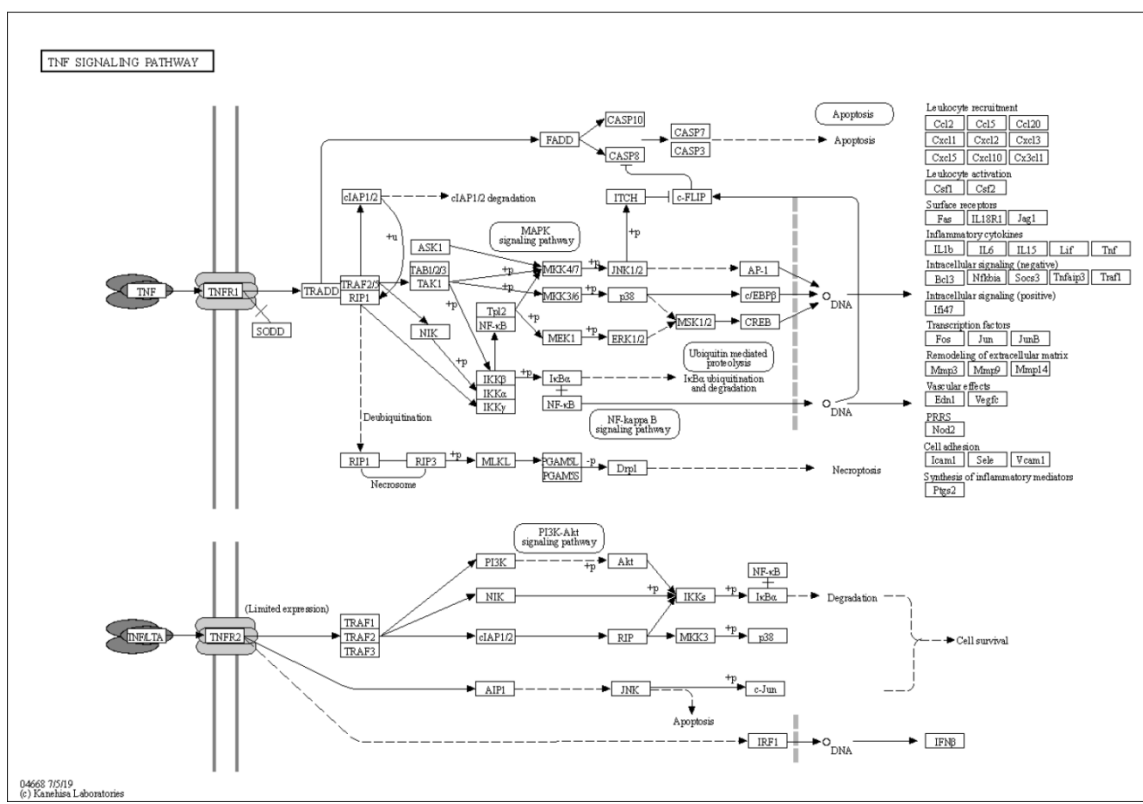
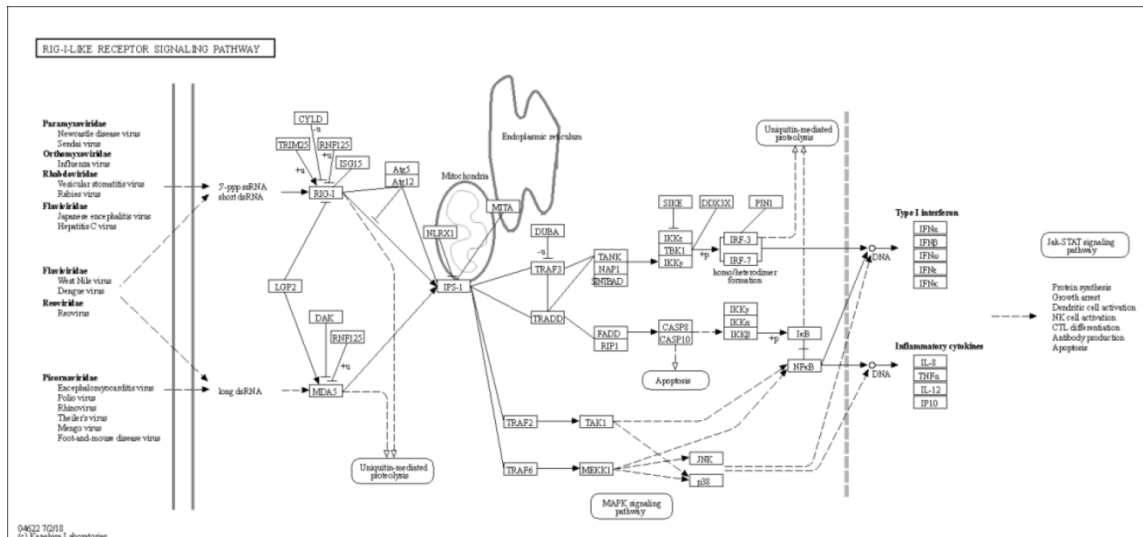




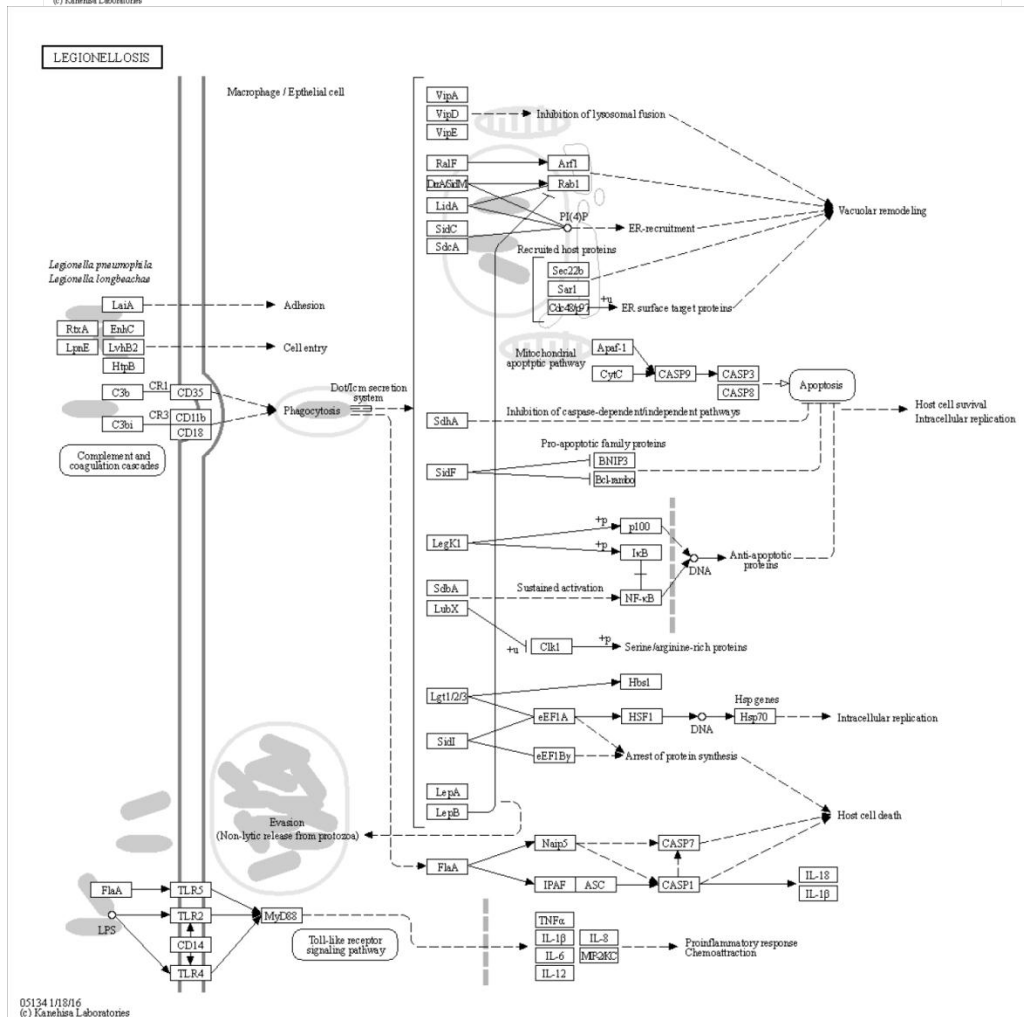
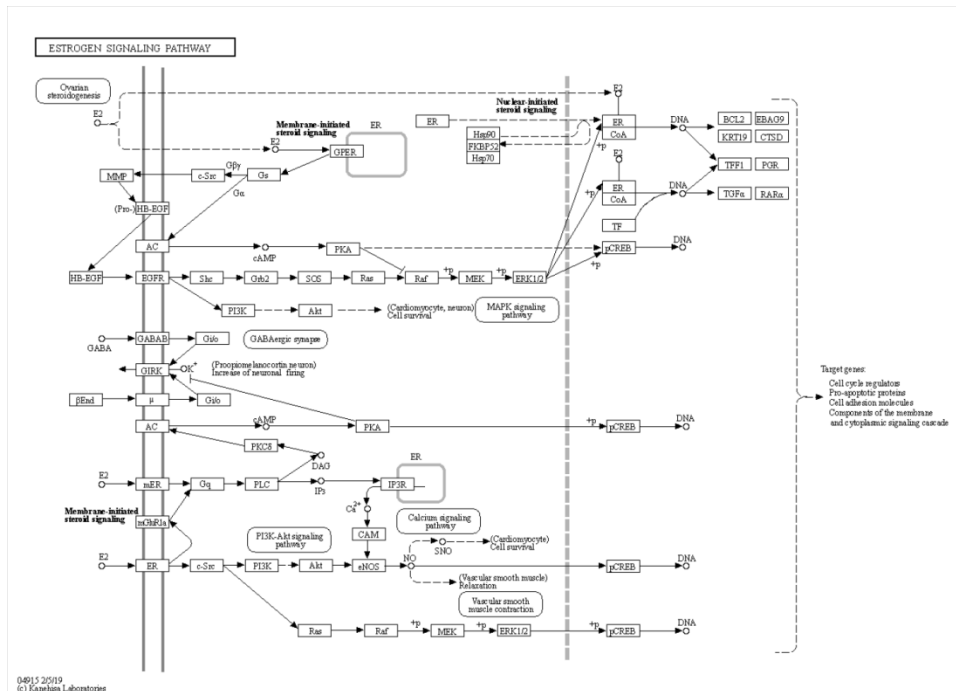


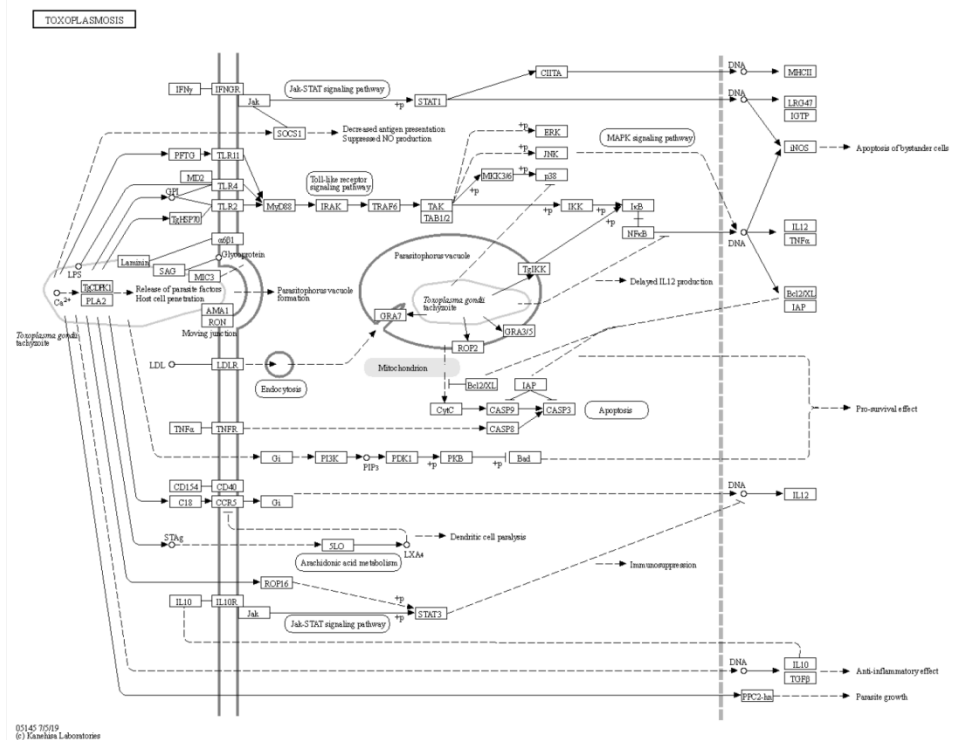
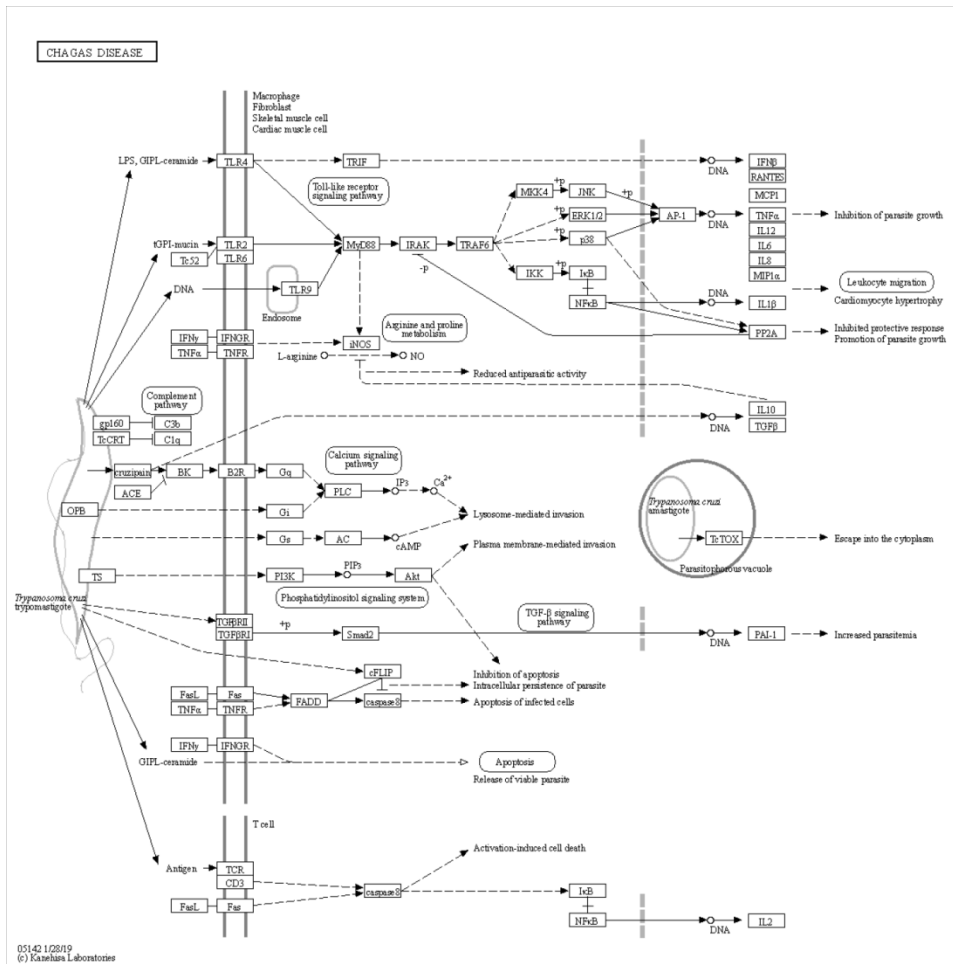


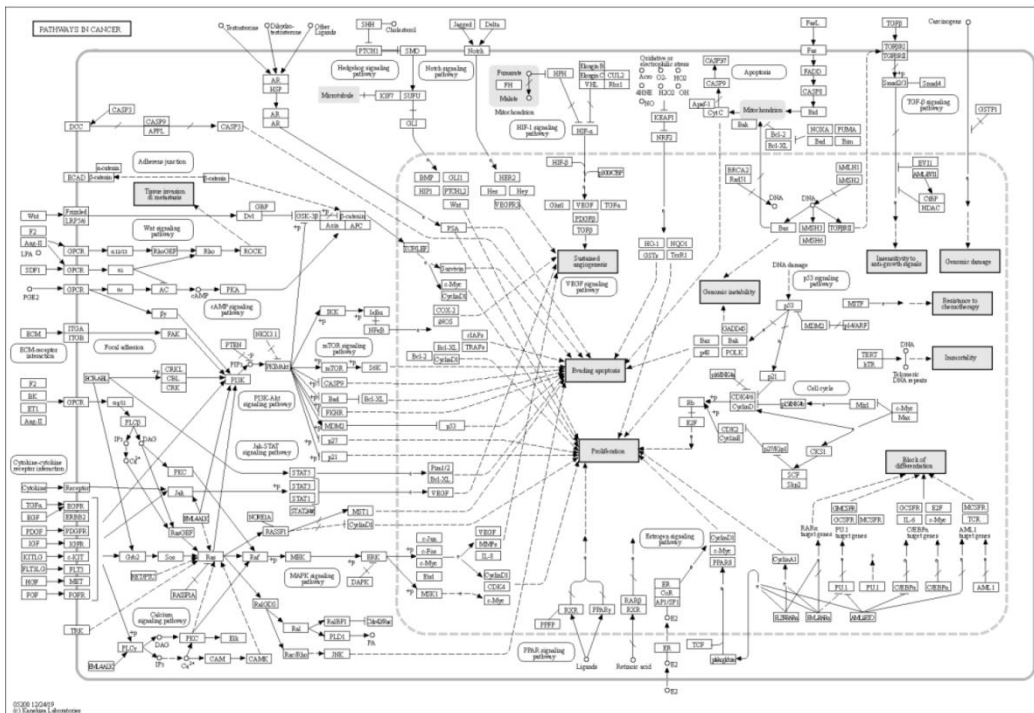
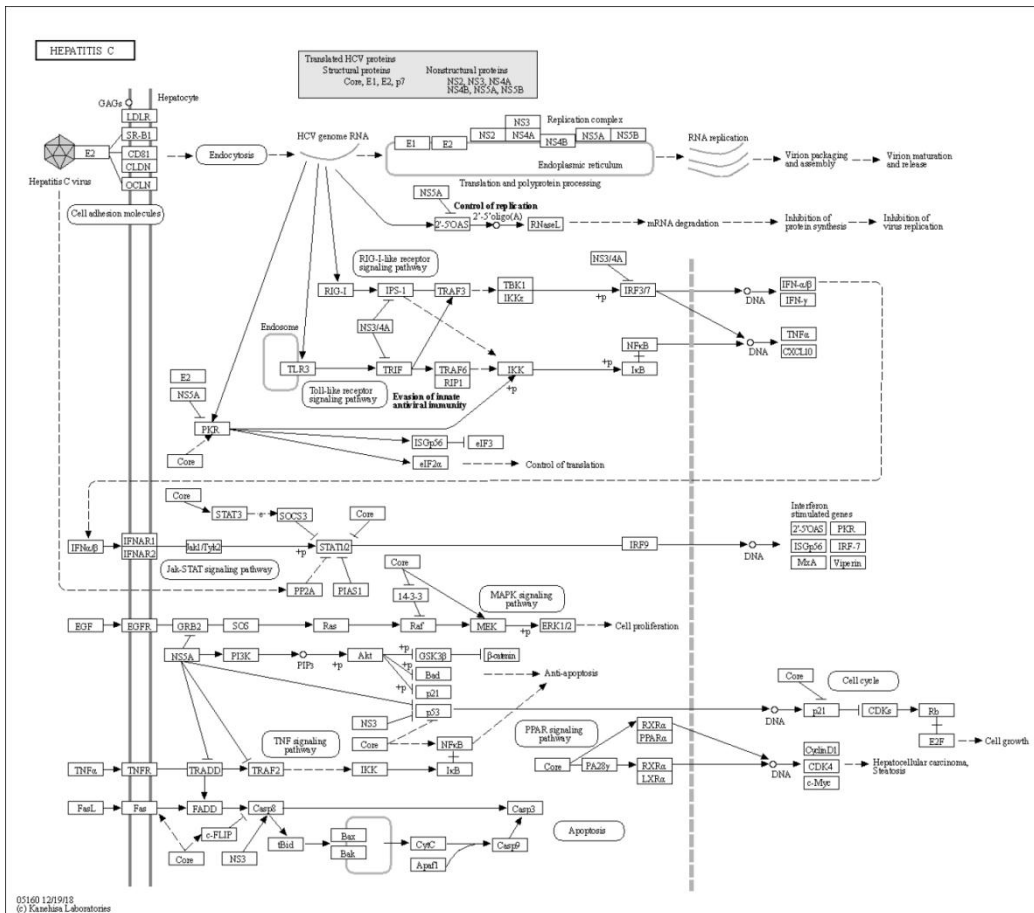


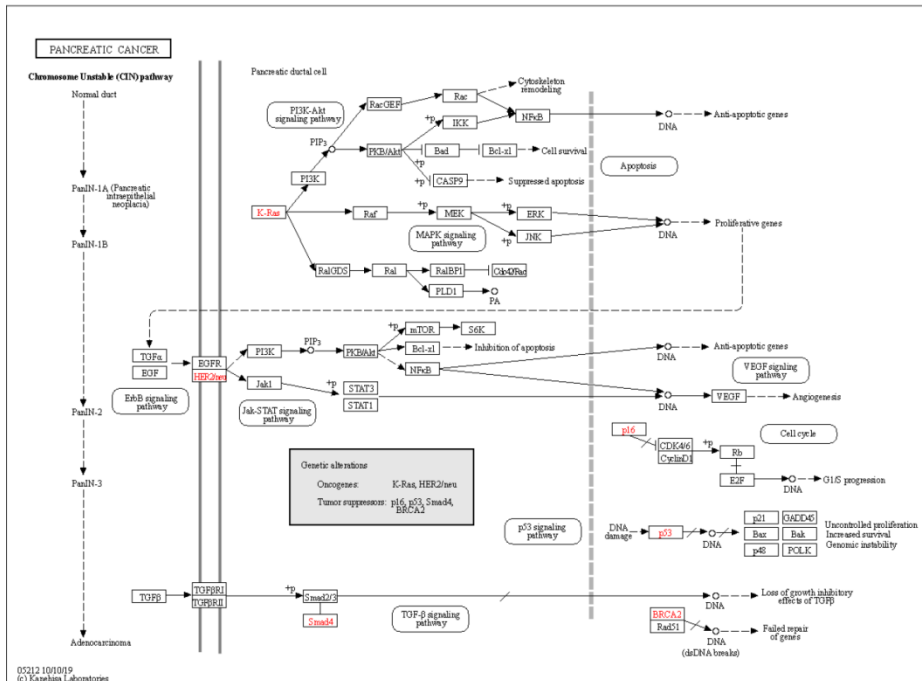
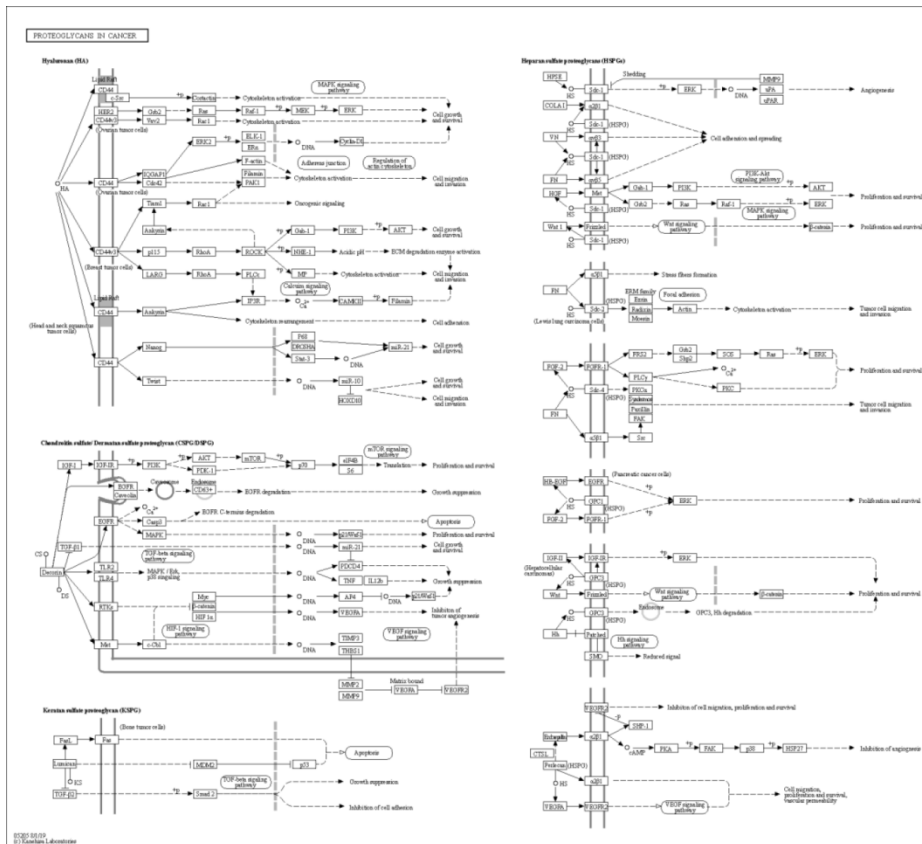


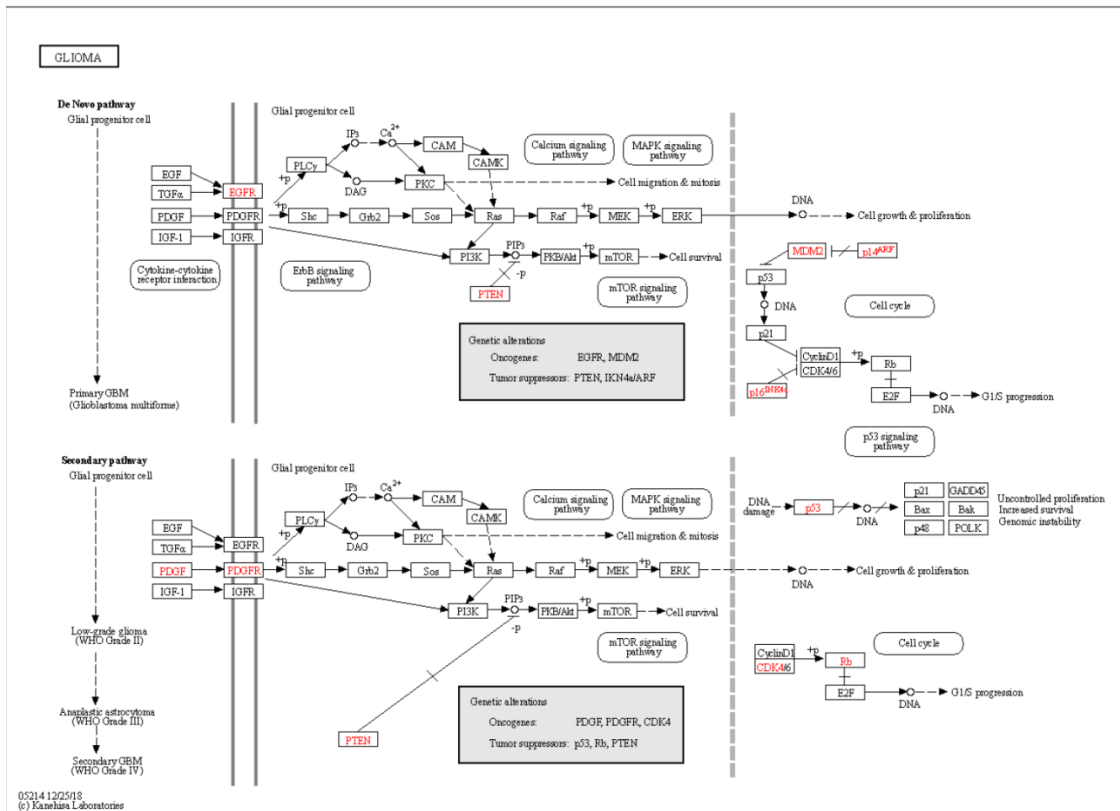
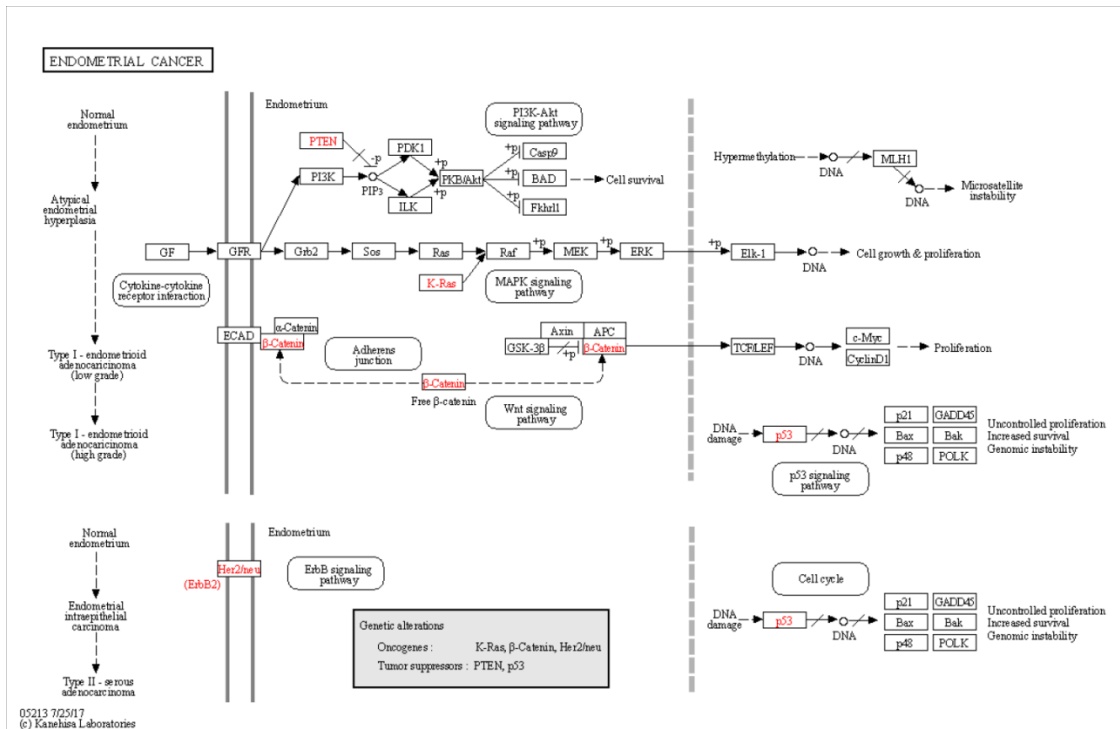


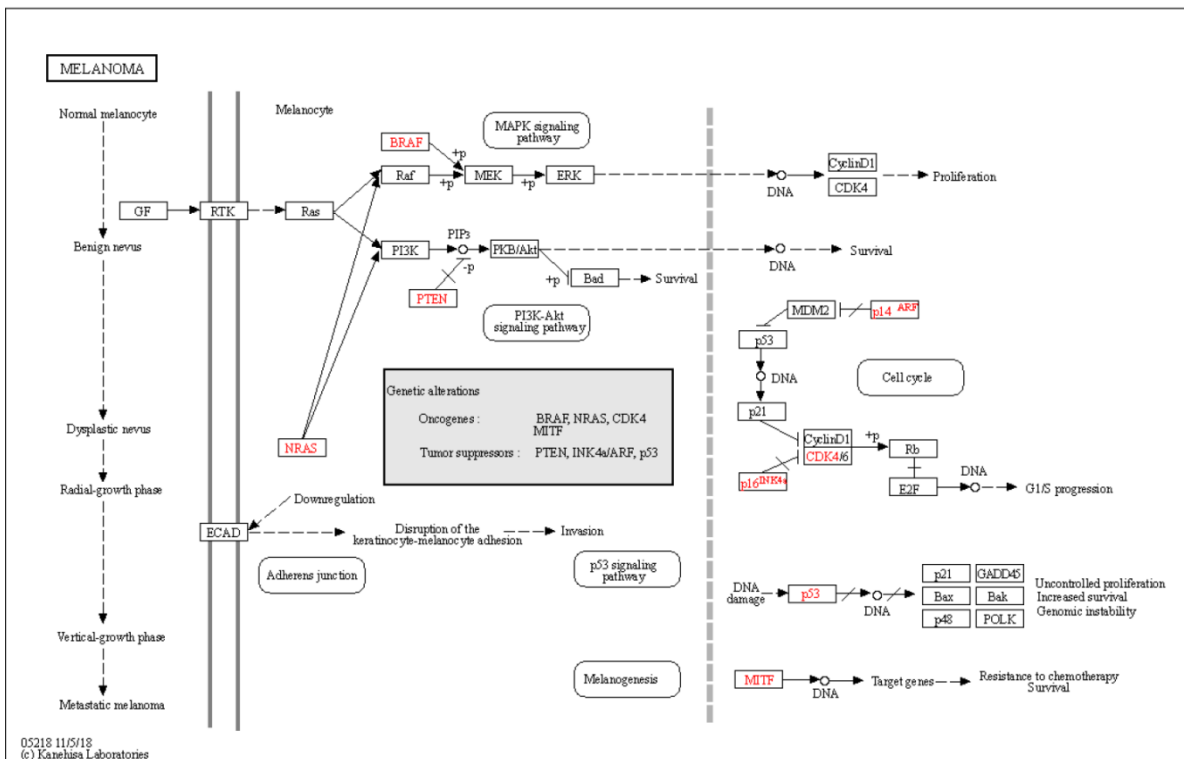
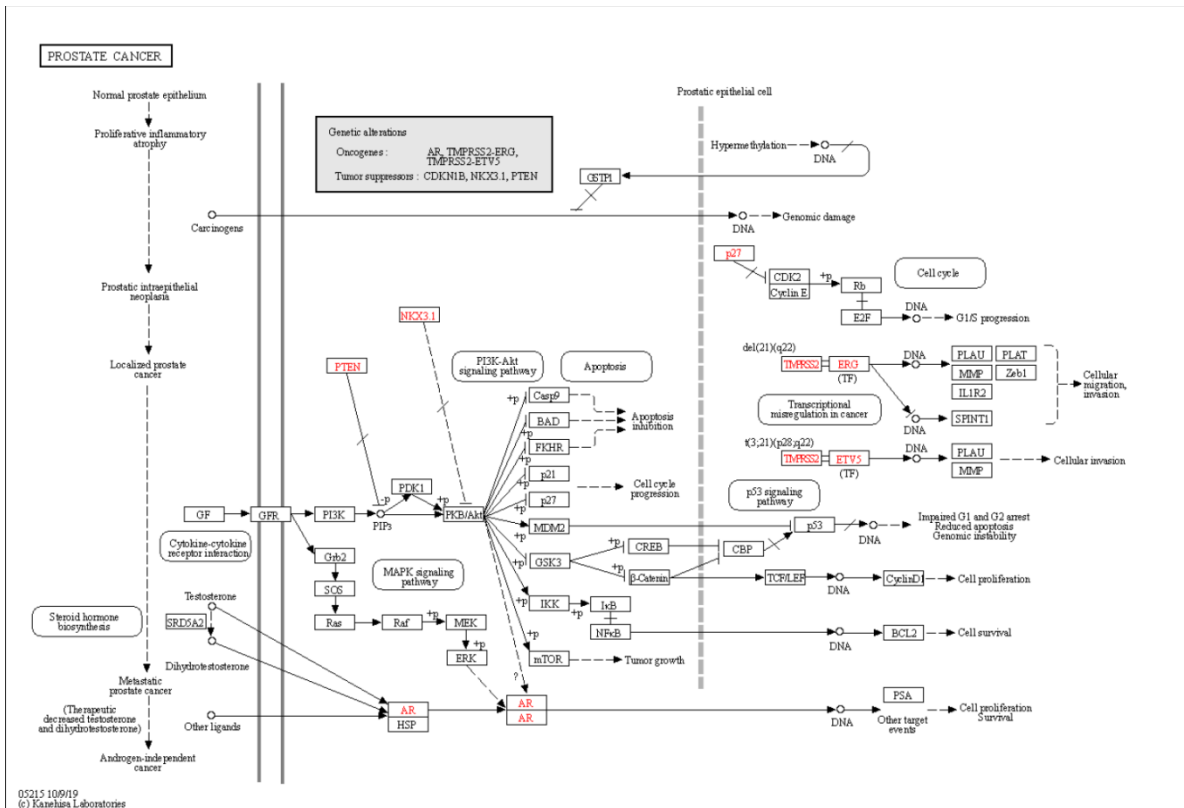


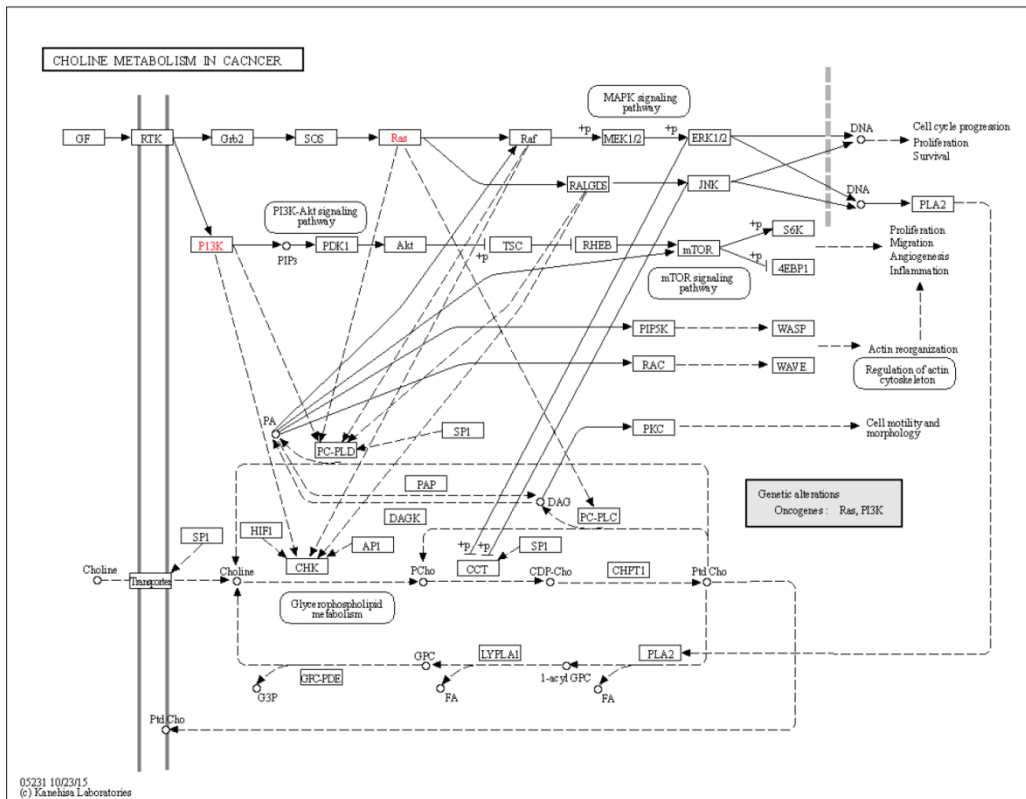
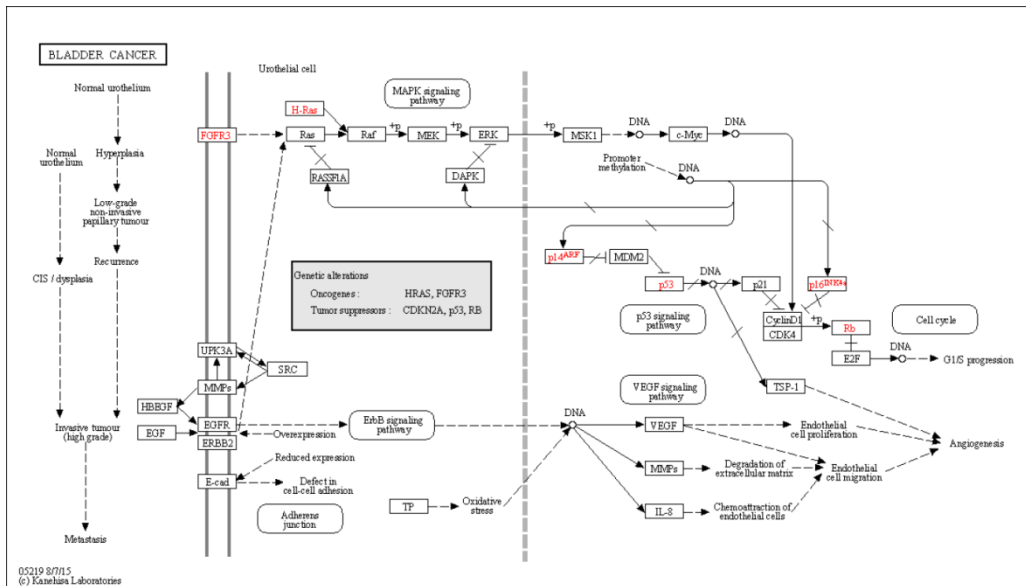












Supplementary Figure 1. More other molecular pathways of the core targets.